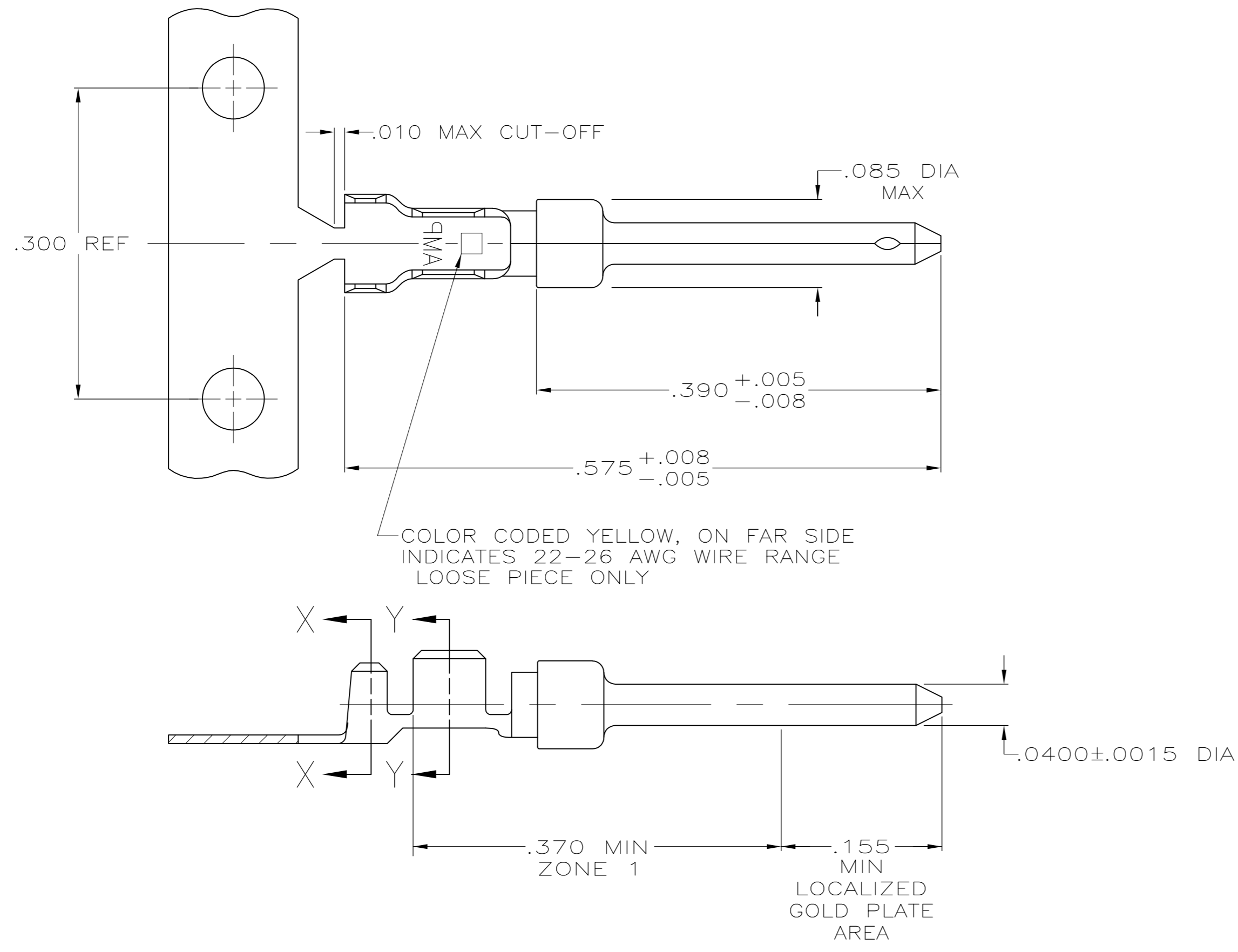


THIS DRAWING IS UNPUBLISHED. RELEASED FOR PUBLICATION  
 © COPYRIGHT - By - ALL RIGHTS RESERVED.

LOC	DIST	REVISIONS					
GP	00	P	LTR	DESCRIPTION	DATE	DWN	APVD
		L		REVISED PER ECO-12-021696	27FEB2013	CJV	SLB



- 1 FOR MINI-APPLICATOR.
- 2 FOR HAND TOOL USE ONLY.
- 3. WIRE RANGE OF 22-26, INSULATION RANGE OF .040-.050.
- 4. GOLD PLATING MAY NOT APPEAR ON CARRIER STRIP. NICKEL UNDERPLATE COVERS ENTIRE CONTACT.
- 5 GOLD PLATING PER MIL-G-45204. NICKEL PLATING PER QQ-N-290. TIN PLATING PER MIL-T-10727.
- 6 GOLD PLATED IN LOCALIZED GOLD PLATE AREA AS FOLLOWS:  
 .000030 MIN GOLD IN MATED AREA, GOLD FLASH ON REMAINDER OF LOCALIZED GOLD PLATE AREA AND ZONE 1 OF CONTACT, ALL OVER .000050 MIN NICKEL UNDERPLATE.  
 OR  
 GOLD FLASH OVER PALLADIUM-NICKEL PLATE, .000030 MIN TOTAL IN MATED AREA, GOLD FLASH ON REMAINDER OF LOCALIZED GOLD PLATE AREA AND ZONE 1 OF CONTACT, ALL OVER .000050 MIN NICKEL UNDERPLATE.
- 7 .000001 MIN GOLD ON LOCALIZED GOLD PLATE AREA AND ZONE 1 OVER .000030 MIN NICKEL.
- 8 GOLD PLATED IN LOCALIZED GOLD PLATED AREA, .000001 MIN GOLD IN MATED AREA, TIN PLATED WIRE BARRELS, OVER .000030 NICKEL.
- 9 GOLD PLATED IN LOCALIZED GOLD PLATED AREA, .000030 GOLD IN MATED AREA, TIN PLATED WIRE BARRELS, OVER .000050 NICKEL.

OBSELETE	SMALL PACK	7	2	LOOSE PIECE	1-745254-7
OBSELETE	STANDARD	9	2	LOOSE PIECE	1-745254-6
OBSELETE	STANDARD	9	1	STRIP	1-745254-4
OBSELETE	STANDARD	8	2	LOOSE PIECE	1-745254-3
OBSELETE	STANDARD	8	1	STRIP	1-745254-1
	STANDARD	7	2	LOOSE PIECE	745254-7
	STANDARD	6	2	LOOSE PIECE	745254-6
	STANDARD	7	1	STRIP	745254-3
	STANDARD	6	1	STRIP	745254-2
PACKAGING TYPE	FINISH	USE	TYPE	PART NUMBER	

THIS DRAWING IS A CONTROLLED DOCUMENT. DIMENSIONING AND TOLERANCING PER ASME Y14.5M-2009		DWN S.WELDON 9-9-86	<b>STE</b> TE Connectivity	
		CHK C.RICHARD 9-9-86		
DIMENSIONS: INCHES		APVD V. KUMAR 9-10-86	NAME	
TOLERANCES UNLESS OTHERWISE SPECIFIED:		PRODUCT SPEC	PIN CONTACT, SIZE 20 DF, 22-26 AWG, W/.040-.050 DIA INSULATION SUPPORT	
0 PLC ± -	1 PLC ± -	APPLICATION SPEC	SIZE	CAGE CODE
2 PLC ± -	3 PLC ± .005	114-10000	A2	00779
4 PLC ± -	ANGLES ± -	WEIGHT -	DRAWING NO	RESTRICTED TO
MATERIAL BRASS PER MIL-C-50	FINISH SEE TABLE	CUSTOMER DRAWING	SCALE 10:1	SHEET 1 of 1

SECTION X-X  
INSULATION BARREL  
SCALE 20:1

SECTION Y-Y  
WIRE BARREL  
SCALE 20:1